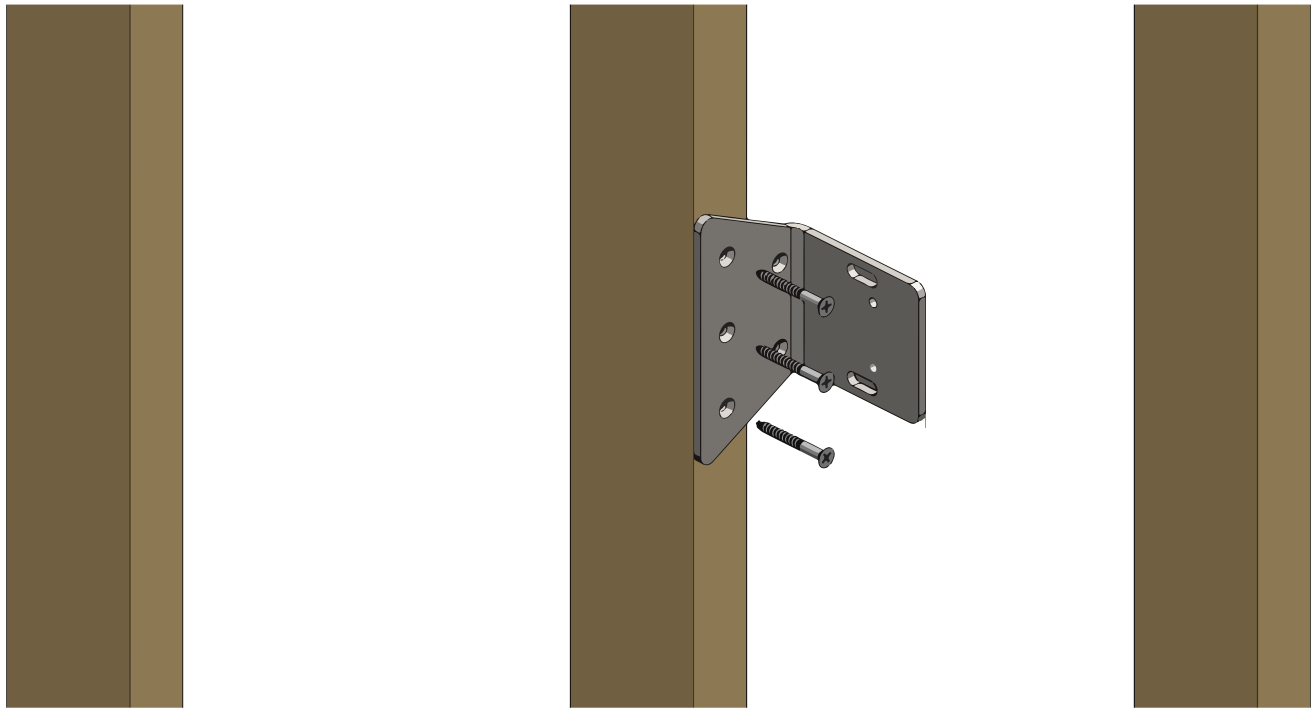


BLAC-RAC

WEAPON RETENTION SYSTEMS



Locate a stud in desired mounting location. With provided wood screws secure bracket using either the 3 or 2 hole configurations. Once installed, secure the system to the mount using the two 5/16-18 bolts and backing plate.

